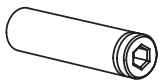
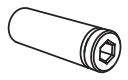

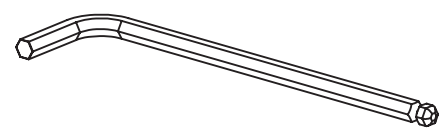
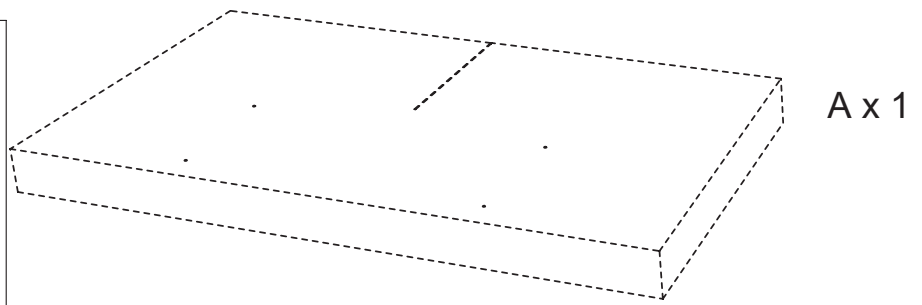


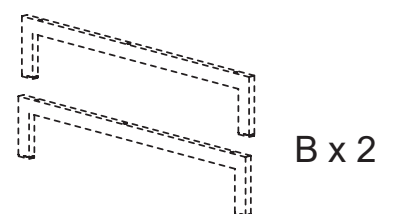


069184-03

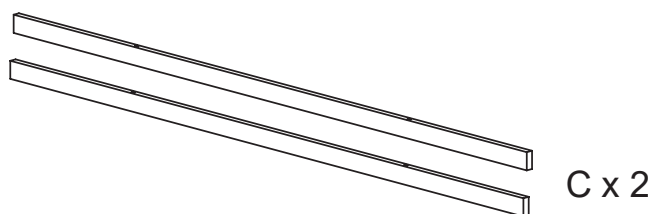
- ① x 4 
- ② x 6 
- ③ x 10 
- ④ x 1 



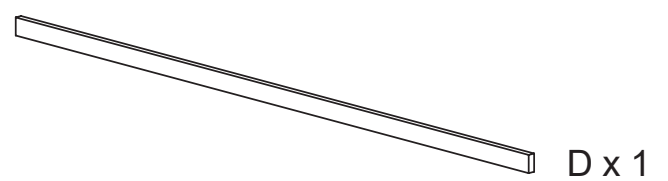
A x 1



B x 2



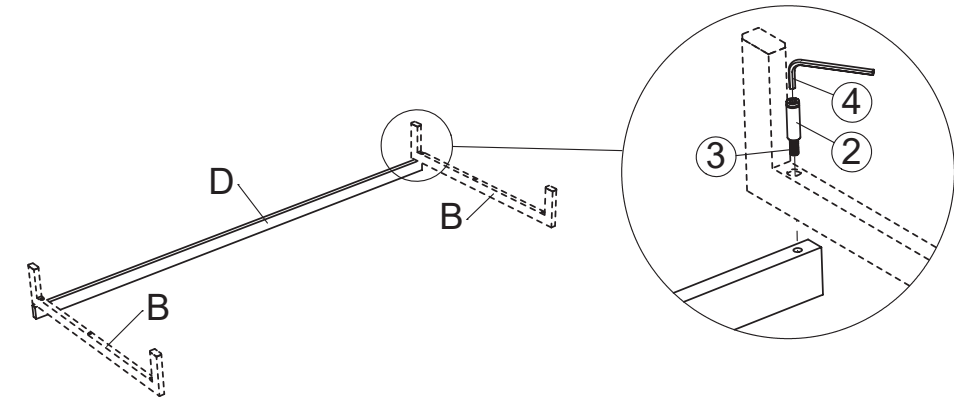
C x 2



D x 1

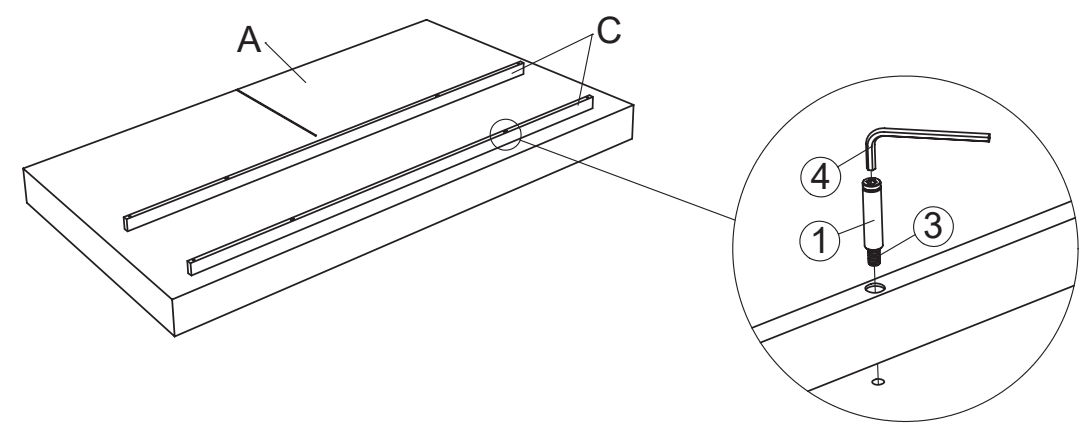
1

- ② x 2 
- ③ x 2 



2

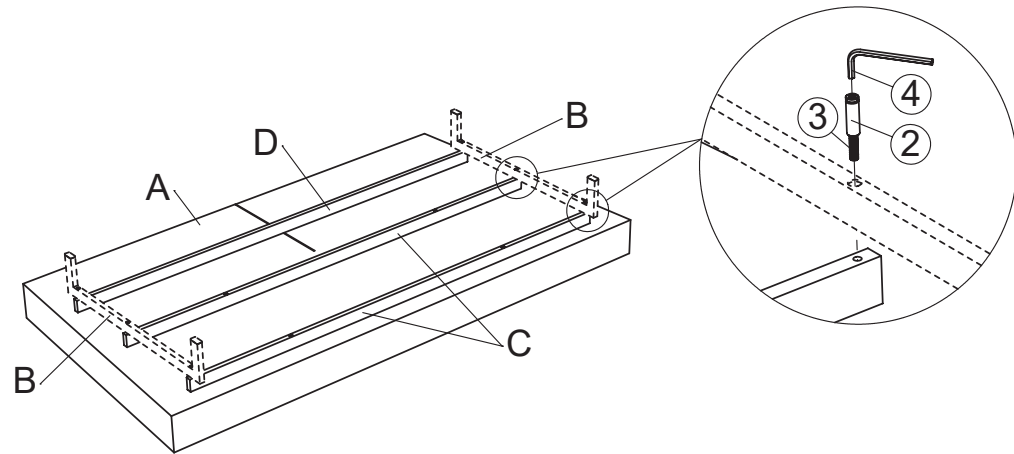
- ① x 4 
- ③ x 4 



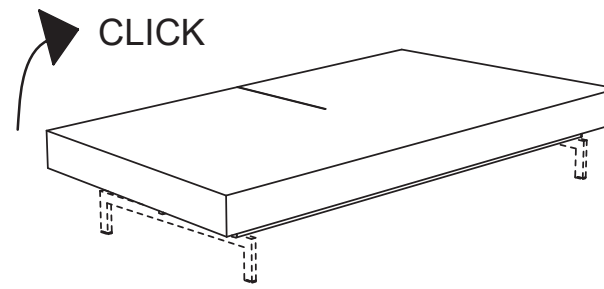
3

② x 4  ③ x 4 

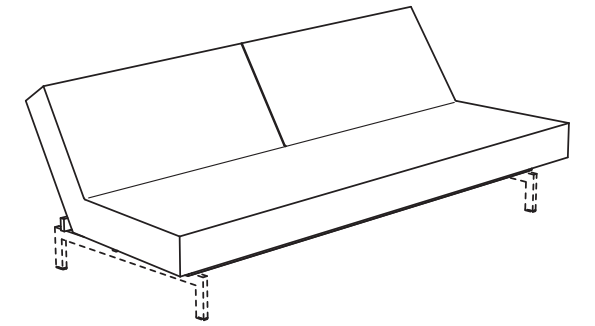
069184-03



1

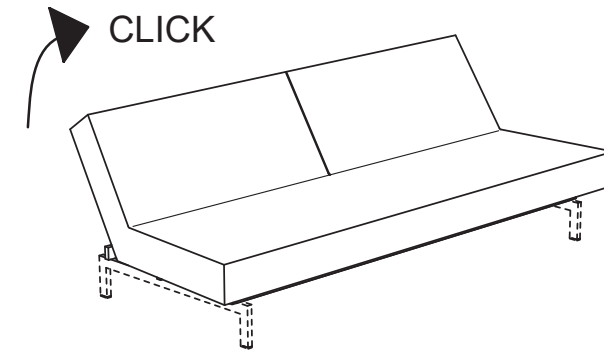


2

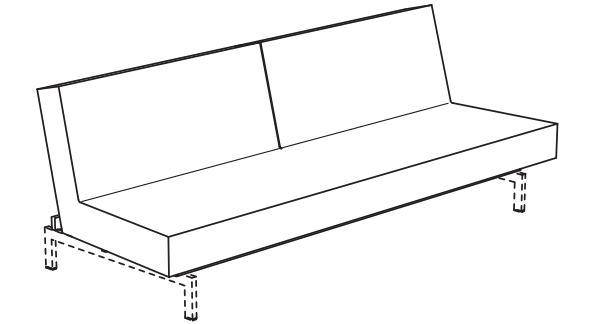


HVILE-RUHE-RELAX-REPOSER

3

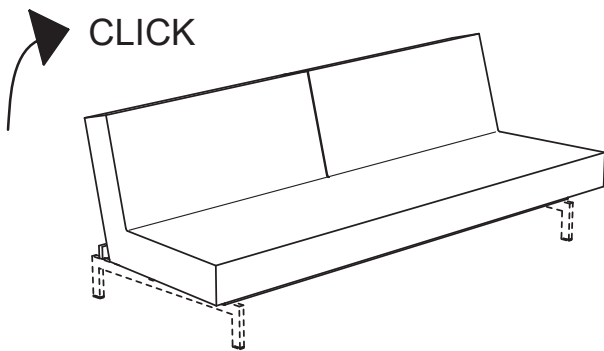


4

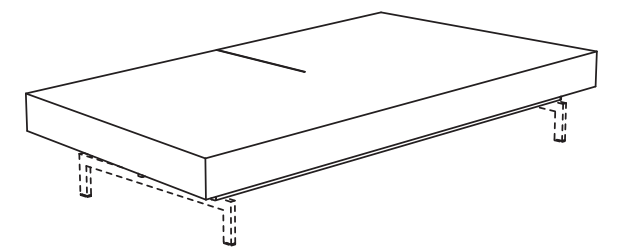


SIDDE-SITZEN-SIT-ASSISE

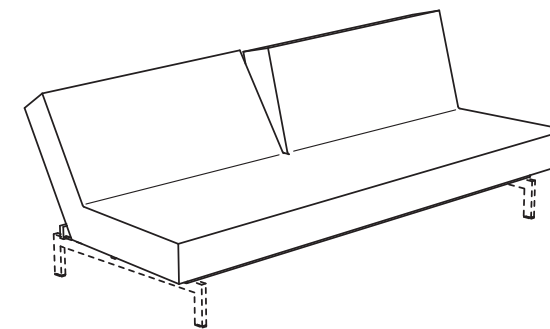
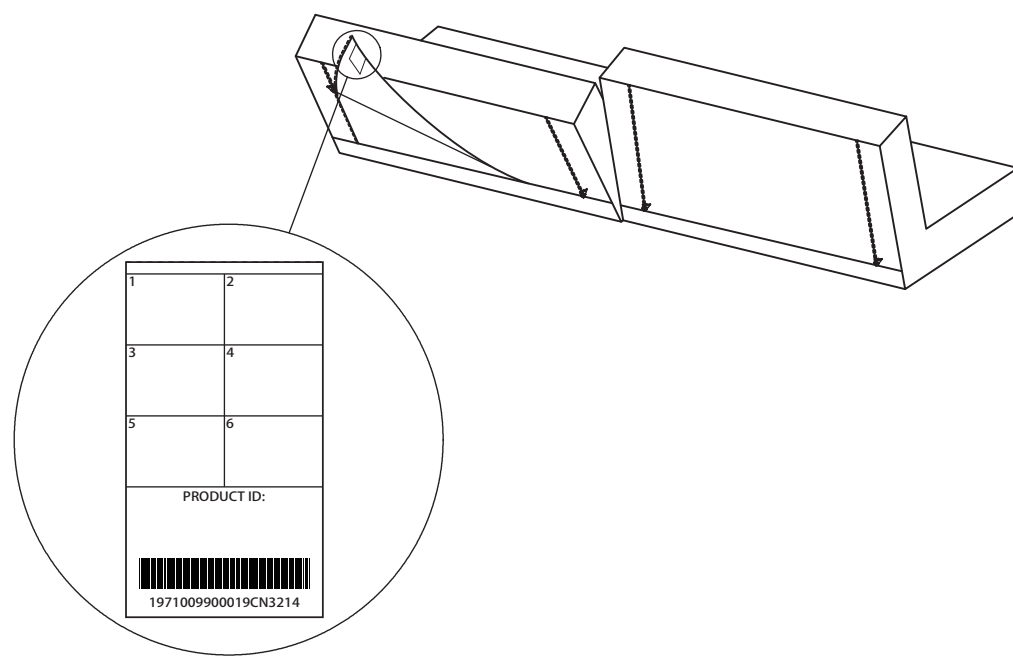
5



6



SOVE-SCHLAFEN-SLEEP-DORMIR



HVILE-RUHE-RELAX-REPOSER / SIDDE-SITZEN-SIT-ASSISE